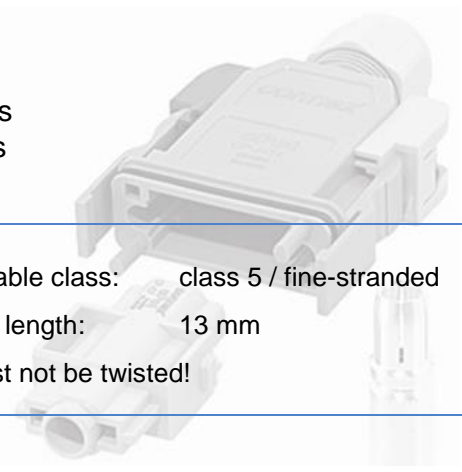


## Mounting of the connecting cable

Strip the insulation from the cable with a length of 13 mm. This applies to all conductor cross-sections of fine-stranded cable class 5, which is recommended for the axial screw connection technique.



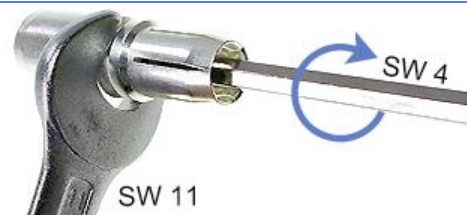
- ✓ Select correct cable class: class 5 / fine-stranded
- ✓ Strip the correct length: 13 mm
- ⚠ The strands must not be twisted!



Insert the stripped cable **completely** into the contact chamber with firm pressure.



Make sure that **all strands** enter the contact chamber!



Insert the appropriate **hexagonal pin wrench (SW 4)** from the mating side into the axial screw and turn it clockwise.

At the same time, counter the axial screw with an **open-end wrench (SW 11)**. Now tighten the axial screw firmly!

## Mounting the connector



Push the cable together with the installed axial screw contact through the screw connection of the cPot® coupling housing.

Press the contact into the housing. An audible click signals that the contact is securely engaged.



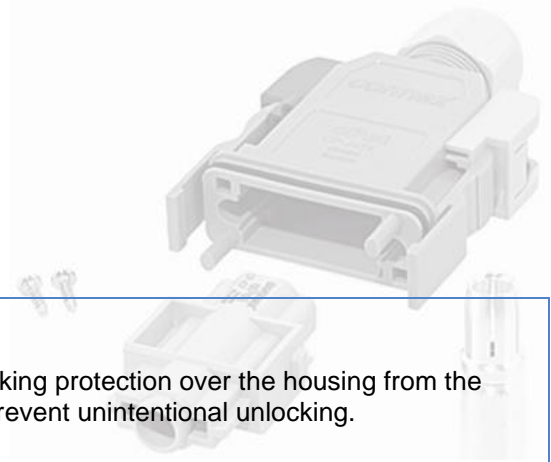
Push the module into the housing and tighten the screw connection at the cable inlet by turning it clockwise.



Screw the module into the housing using the enclosed screws.

## Protection against unintentional opening of the connector (optional)

cPot® connections can be secured against unintentional disconnection with an optionally release protection (red or yellow available).



Slide the unlocking protection over the housing from the cable side to prevent unintentional unlocking.

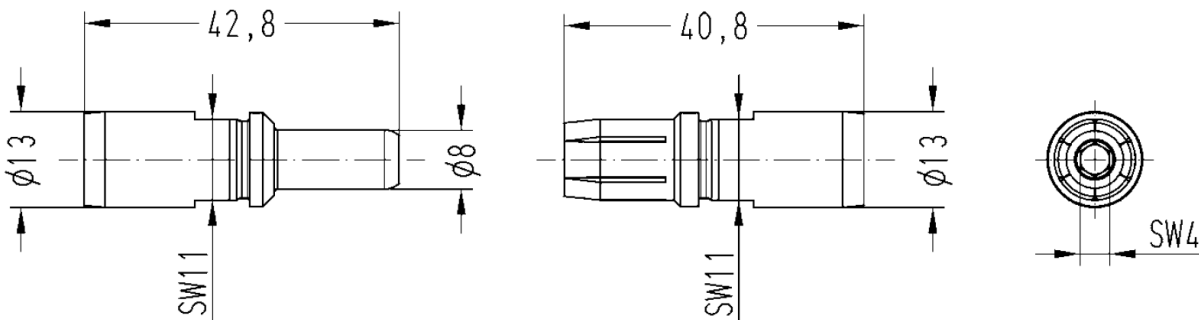
The connector can now only be opened with a tool.



To open the connector / remove the release protection, insert a screwdriver (e.g. flat-bladed | 0.8 x 4 mm) into the opening provided in the protective cover (see fig.) and press the release spring inside upwards.

Now you can pull off the release protection towards the cable again and release the plug connection.

## Dimensional drawings (plug / jack)



**Tightening torque**

mm <sup>2</sup>	10	16	25	35
Nm	6	6	7	8