



UNMATCHED RELIABILITY AND SAFETY

PRODUCT GUIDE
**PROFESSIONAL PORTABLE
POWER DISTRIBUTION**

CONTRIK[®]



CONTRIK is a brand of the Neutrik Group and a provider of professional power distribution systems, equipotential bonding systems and premium power cables.

We are proud to offer outstanding products and make it our business to develop innovative and sustainable systems for our customers. You as customer as well as your safety in all situations, are our top priority!

High quality standard

- Profound design expertise and superior manufacturing in the United States and Europe
- High-quality electrical and electronic components from renowned brands
- Easylen® – unique and premium housing material:
 - Flame retardant according to UL94-V0
 - High temperature resistance
 - Corrosion resistant
 - Non-conductive
 - Excellent protection against mechanical impact (up to IK10+)



Portfolio overview

Active



Passive



Features & benefits

- Power Distribution Portfolio for Harsh and Demanding Stage Applications
- Passive solutions (without circuit breakers) and active solutions (with circuit breakers)
- Unique advantages of EASYLEN® housing material
- Thoughtfully designed housing concepts ensure high protection, easy handling, and transport
- High mechanical protection (IK) and superior environmental protection (IP)

X **Xtreme**
High mechanical protection (IK)

XO **Xtreme Outdoor**
High mechanical (IK) and environmental protection (IP)

ETL **US** **Products**
compliant with U.S. standards

CE **Products**
compliant with EU standards

Power Containers

Corner stone element of CONTRIK power distribution system. A highly reliable, rugged and powerful distribution solution. The Power Container allows reduction of cabling effort & cost, circuit protection and power measurement. It is ideally suited for demanding mobile applications esp. video walls.

- **32A Version:** In: C32A, Out: 2x Harting E16, Circuit protection: 12x MCB / 1x RCB, cPot potential equalization, IP44 in mated condition
- **63A Version:** In: C63A, Out: 4x Harting E16, Circuit protection: 24x RCBO, Power measurement, cPot potential equalization, IP44 in mated condition
- **See the configuration options** on the next page or visit contrik.com, and feel free to request your preferred configuration there.

XO **CE**



Power Rack

Powerfull, rugged and highly reliable distribution solution for installation in the 19" Rack. Power Rack allows reduction of cabling effort & cost and circuit protection. It is ideally suited for amplifier rack wiring application.



- In: 1x CE16A or 1x CE32A, Daisy chain: 1x CE16A or 1x CE32A, Out: 6x powerCON TRUE1 or 6x Schuko, or 9x Schuko, Circuit protection: 3x MCB and / or 1x RCD, IP20
- **See the configuration options** on the next page or visit contrik.com, and feel free to request your preferred configuration there.

X

Customization Power Container and Power Rack

INPUT CONNECTORS

CEE 125A 400V 5P	CEE 63A 400V 5P	CEE 32A 400V 5P	CEE 16A 400V 5P
Powerlock 3P+N+PE			

Versions with a supply cord are available upon request.

OUTPUT CONNECTORS

CEE 125A 400V 5P	CEE 63A 400V 5P	CEE 32A 400V 5P	CEE 16A 400V 5P
Powerlock 3P+N+PE	Harting E16, 6 Ch	Harting E16, 8 Ch	19-pin, 6 Ch
powerCON XX	powerCON TRUE1	Schuko	CEE 16A 230V 3P
cPot connector			

Other connectors available upon request.

HOUSING / CONTRIK POWER RACK

SIZE	WIDTH x DEPTH x HEIGHTS
2 HE	483 x 88 x 127 mm
3 HE	483 x 132 x 194 mm
6 HE	483 x 265 x 194 mm
9 HE	483 x 398 x 256 mm



...up to 30 HE / Flight case production available upon request.

HOUSING / CONTRIK POWER CONTAINER

SIZE	WIDTH x DEPTH x HEIGHTS
SMALL	395 x 295 x 307 mm
MIDDLE	395 x 295 x 442 mm
LARGE	520 x 388 x 218 – 623 mm



CIRCUIT PROTECTION

MCB 1-4p	RCCB 4p + MCB 1-4p	RCBO 2-4p
RCM with adjustable delay function		through wired

Other circuit breaker available upon request.

OPTIONS

LED phase lights	Main switch	Power Meter essential	Power Meter standard
Power Meter premium	Overvoltage protection	Neutral conductor monitoring	
Phase inverter	Fan	Customer Logo	cPot connector

Additional options available upon request.

POWER ANALYZER

	Essential	Standard	Premium
Power, current, voltage (per phase & average)	X	X	X
Active, reactive, apparent energy/power, THD monitoring		X	X
Energy consumption recording for cost analysis			X
Ethernet and Modbus interface			X
Residual current monitoring			X

All power analysers are equipped with backlight LCD display.



Power Turtles

Lightweight, flat, highly reliable and extremely rugged distribution box. Power Turtles allow reduction of the cabling effort and cost. It is ideally suited for outdoor usage and demanding mobile applications.

- In: 1x powerCON TRUE1
- Out: 7x powerCON TRUE1
- IP65 / IP20 / NEMA1
- Optional: Power meter display



- In: Harting E16 or 19-pin-connector
- Out: 12x powerCON TRUE1
- IP65



- In: Harting E16 or 19-pin-connector
- Out: 6x powerCON TRUE1
- IP65



- In: CEE32A
- Daisy chain: CEE32A
- Out: 6x powerCON TRUE1
- Circuit protection: 6x MCB
- IP65



Power Strips

Lightweight, compact, highly reliable and rugged distribution box. Power Strip allows reduction of the cabling effort and cost. Power Strip Xtreme / Xtreme Outdoor are ideally suited for outdoor usage and demanding mobile applications.

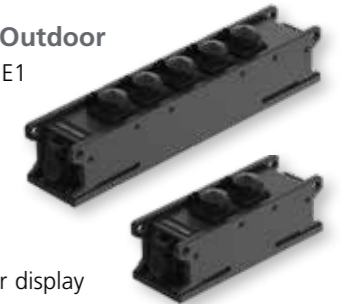
Power Strip Multicore

- In: Harting E16 / 19 pin connector
- Daisy chain: - / Harting E16 / 19 pin connector
- Out: powerCON TRUE1 / Schuko Type F



Power Strip Xtreme Outdoor

- In: 1x powerCON TRUE1
- Daisy chain: 1x powerCON TRUE1
- Out: 3x or 6x powerCON TRUE1
- IP65 / IP20 / NEMA1
- Optional: Power meter display



Power Strip Xtreme Outdoor

- In: 1x CEE16A
- Daisy chain: 1x CEE16A
- Out: 6x powerCON TRUE1
- IP65



Power Strip Xtreme

- In: 1x powerCON TRUE1
- Daisy chain: 1x powerCON TRUE1
- Out: 3x or 6x Shuko
- IP54



NEUTRIK powerCON cables

Lockable, highly reliable, and compliant cable assemblies for demanding mobile applications. Solutions for every budget and quality requirement.

- A variety of EU and US cable types with different conductor cross-sections
- Overmolded and rewireable connectors
- Options for both outdoor and indoor use
- Available with rubber and PVC cables
- Fully compliant with local standards
- Special or local connector options available upon request

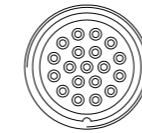


ASSEMBLY TYPES	Assembled	Overmolded
essential SERIES	NKPH-A4A3-* NKPH*-MFA3-* CE	NKPF-M-* NKPF-S-* CE C RU US
	NKPH-A2A1-* NKPH*-MFA1-* QP CE	
ultimate SERIES		NKPH-M2M1-* NKPH*-MFM1-* QP CE C RU US

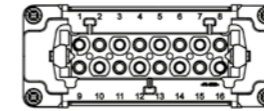


CONTRIK power multicore cables

Norm conform, highly flexible cables with the reduced weight. Power multicore cables allow reduction of the cabling effort and cost. This cables are ideally suited for outdoor usage and demanding mobile applications.



19-pin-connector



Harting E16

- 19-pin-connector and Harting E16 cables
- 6 and 8 channels
- Extension (CKPE*) and Split cables (CKPH*)
- Wide range of lengths
- IP65



cPot equipotential bonding system

Innovative professional equipotential bonding system which meets all the requirements in the event area (DIN 15700). This complete system consists of cables, rugged distribution boxes, connection points and accessories. cPot allows fast and easy installation / deinstallation and save events.

cPot cables and cPot
in different lengths



cPot distribution boxes
in different form-factors



cPot connection points
to connect to different types
of structures or earth



Installation accessory
cable extension, cable / socket
for field assembly and repair

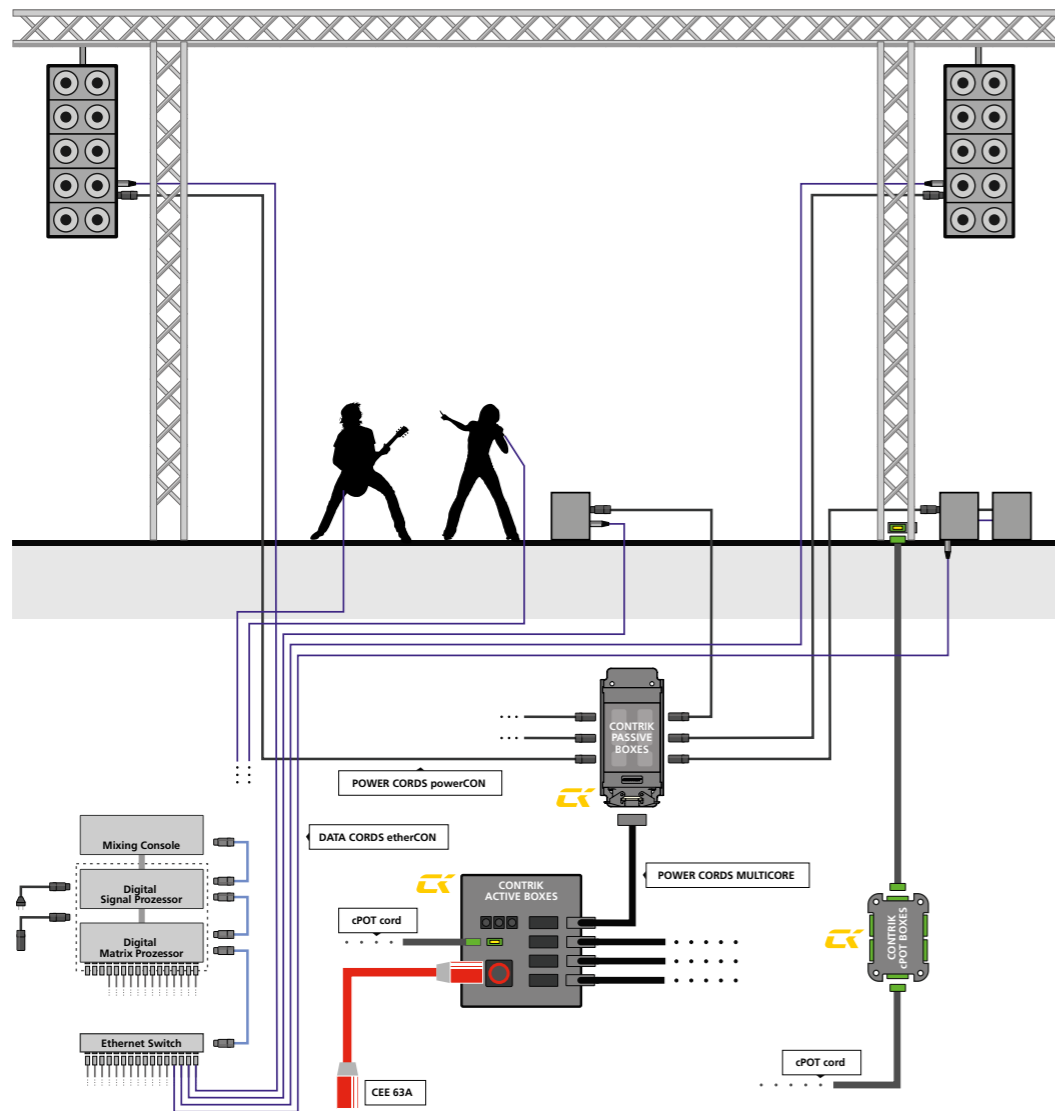


Application Overview

The brands CONTRIK and NEUTRIK offer a comprehensive range of power distribution units and cords designed for key entertainment applications, including video, audio, and lighting. For more details on the applications of these products, refer to the following pages.



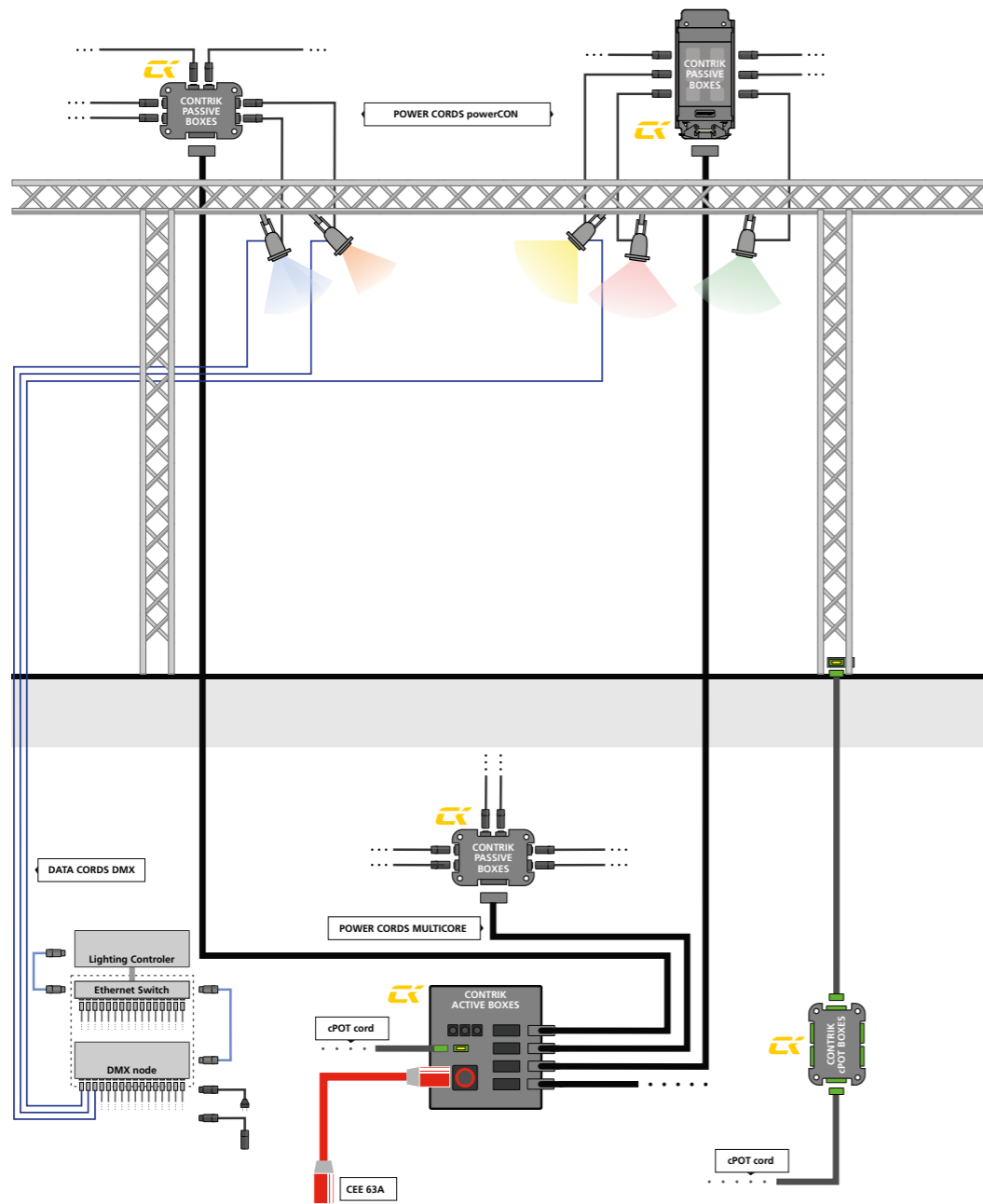
Typical application Audio



Products

DATA CORDS		POWER CORDS		
NEUTRIK etherCON cords (NKE*) 		NEUTRIK powerCON cords (NKPH*, NKPF*) 		
NEUTRIK CAT cables (NKE*) 		CONTRIK POWER MULTICORE 19-pin and Harting cords (CKPE*) 		
POWER DISTRIBUTION Active boxes		POWER DISTRIBUTION Passive boxes		
CONTRIK Power Container, Easylen housing (CPC*) 		CONTRIK Power strip (CPVT*) 		CONTRIK Power strip multicore (CPSM*) 
CONTRIK Power Rack, 19" housing (CPR*) 		CONTRIK Power turtle, xtreme outdoor (CPTM*) 		
EQUIPOTENTIAL BONDING SYSTEM				
CONTRIK cPot cables (CP-X*) 		CONTRIK cPot adapter cables (CP-X*R*) 		
CONTRIK cPot boxes (CP-B/FV*) 		CONTRIK cPot drum (CP-D*) 		

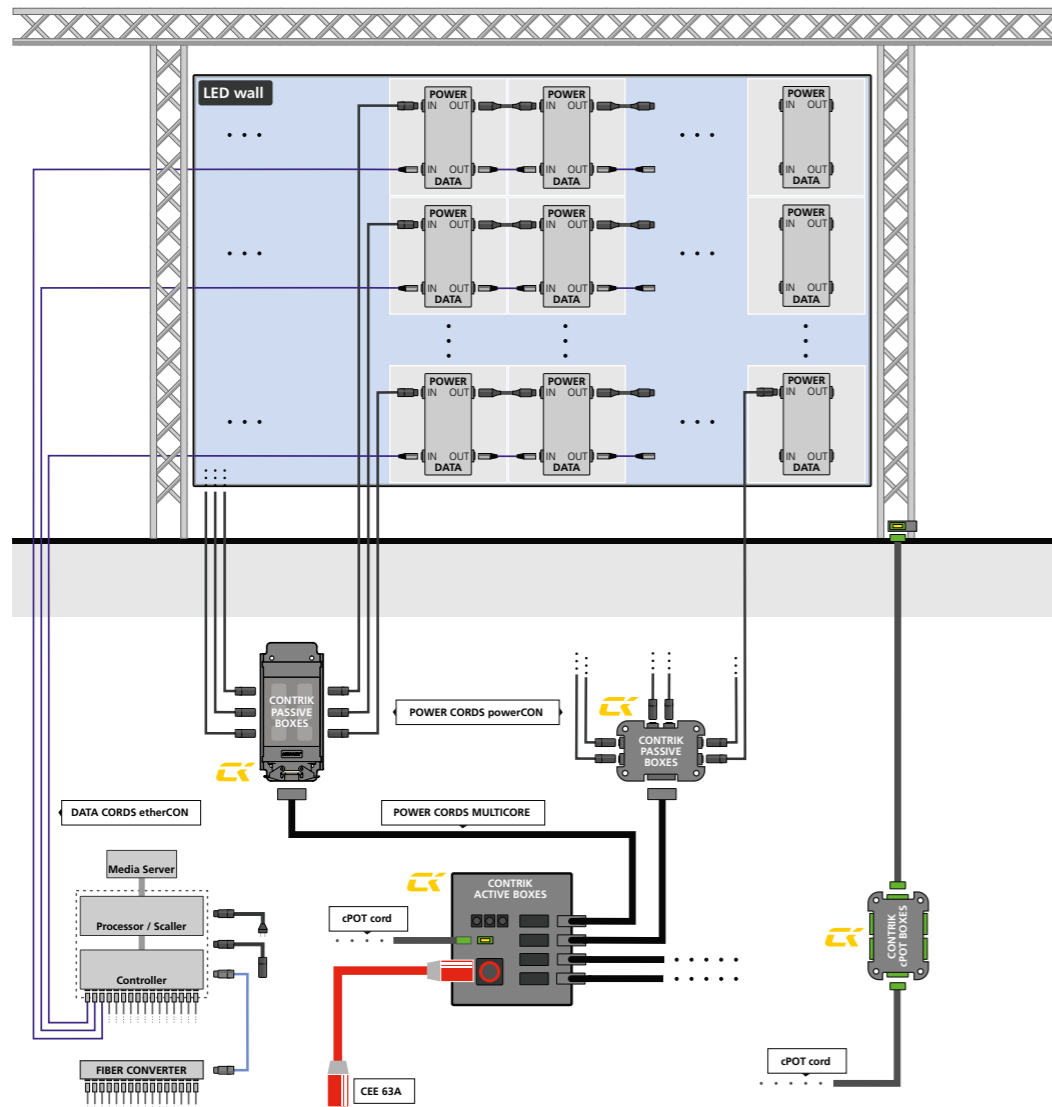
Typical application Lighting



Products

DATA CORDS		POWER CORDS	
NEUTRIK etherCON cords (NKE*)	NEUTRIK DMX cords (NK*)	NEUTRIK powerCON cords (NKPH*, NKPF*)	
NEUTRIK CAT cables (NKE*)		CONTRIK POWER MULTICORE 19-pin and Harting cords (CKPE*)	
POWER DISTRIBUTION Active boxes		POWER DISTRIBUTION Passive boxes	
CONTRIK Power Container, Easylen housing (CPC*)		CONTRIK Power strip (CPVT*)	CONTRIK Power strip multicore (CPSM*)
CONTRIK Power Rack, 19" housing (CPR*)		CONTRIK Power turtle, xtreme outdoor (CPTM*)	
EQUIPOTENTIAL BONDING SYSTEM			
CONTRIK cPot cables (CP-X*)		CONTRIK cPot adapter cables (CP-X*R*)	
CONTRIK cPot boxes (CP-B/FV*)		CONTRIK cPot drum (CP-D*)	

Typical application Video



Products

DATA CORDS	POWER CORDS
<p>NEUTRIK etherCON cords (NKE*)</p> 	<p>NEUTRIK powerCON cords (NKPH*, NKPF*)</p> 
<p>NEUTRIK CAT cables (NKE*)</p> 	<p>CONTRIK POWER MULTICORE 19-pin and Harting cords (CKPE*)</p> 
POWER DISTRIBUTION Active boxes	POWER DISTRIBUTION Passive boxes
<p>CONTRIK Power Container, Easylen housing (CPC*)</p> 	<p>CONTRIK Power strip (CPVT*)</p>  <p>CONTRIK Power strip multicore (CPSM*)</p> 
<p>CONTRIK Power Rack, 19" housing (CPR*)</p> 	<p>CONTRIK Power turtle, xtreme outdoor (CPTM*)</p> 
EQUIPOTENTIAL BONDING SYSTEM	
<p>CONTRIK cPot cables (CP-X*)</p> 	<p>CONTRIK cPot adapter cables (CP-X*R*)</p> 
<p>CONTRIK cPot boxes (CP-B/FV*)</p> 	<p>CONTRIK cPot drum (CP-D*)</p> 



UNMATCHED RELIABILITY AND SAFETY

LIECHTENSTEIN (HEADQUARTERS)

Neutrik AG, Im alten Riet 143,
9494 Schaan, Liechtenstein
T +423 237 24 24, F +423 232 53 93, neutrik@neutrikgroup.com

GERMANY / NETHERLANDS / DENMARK / AUSTRIA

Neutrik Vertriebs GmbH, Felix-Wankel-Straße 1,
85221 Dachau, Germany
T +49 8131 28 08 90, neutrik@neutrikgroup.de

GREAT BRITAIN

Neutrik (UK) Ltd., Westridge Business Park, Cothey Way Ryde,
Isle of Wight PO33 1 QT
T +44 1983 811 441, sales@neutrikgroup.co.uk

FRANCE

Neutrik® France, 52 Rue d'aguesseau,
92100 Boulogne
T +33 1 41 31 67 50, info@neutrikgroup.fr

USA

Neutrik Americas, 4115 Taggart Creek Road,
Charlotte, North Carolina, 28208
T +1 704 972 3050, info@neutrikusa.com

JAPAN

Neutrik Limited, Yusen-Higashinibashi-Ekimae Bldg., 3-7-19
Higashinibashi, Chuo-ku, Tokyo 103
T +81 3 3663 47 33, mail@neutrik.co.jp

HONG KONG

Neutrik Hong Kong LTD., Suite 18,
7th Floor Shatin Galleria Fotan, Shatin
T +852 2687 6055, sales@neutrik.com.hk

CHINA

Ningbo Neutrik Trading Co., Ltd., Shiqi Street, Yinxian Road West
Fengjia Village, Hai Shu District, Ningbo, Zhejiang, 315153
T +86 574 88250833, sales@neutrik.com.cn

SWITZERLAND

Contrik AG, Steinackerstrasse 35,
8902 Urdorf, Switzerland
T +41 44 736 50 10, contrik@contrik.ch