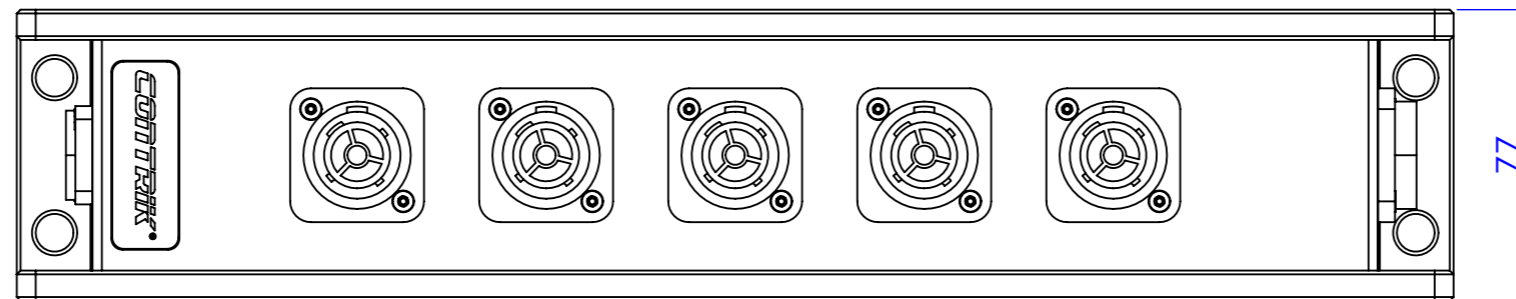
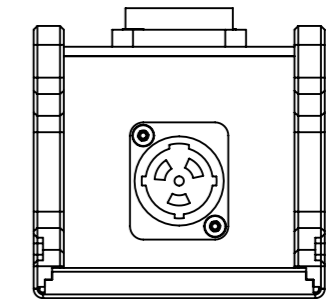
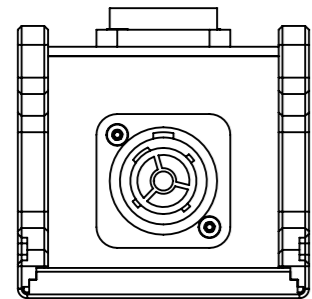
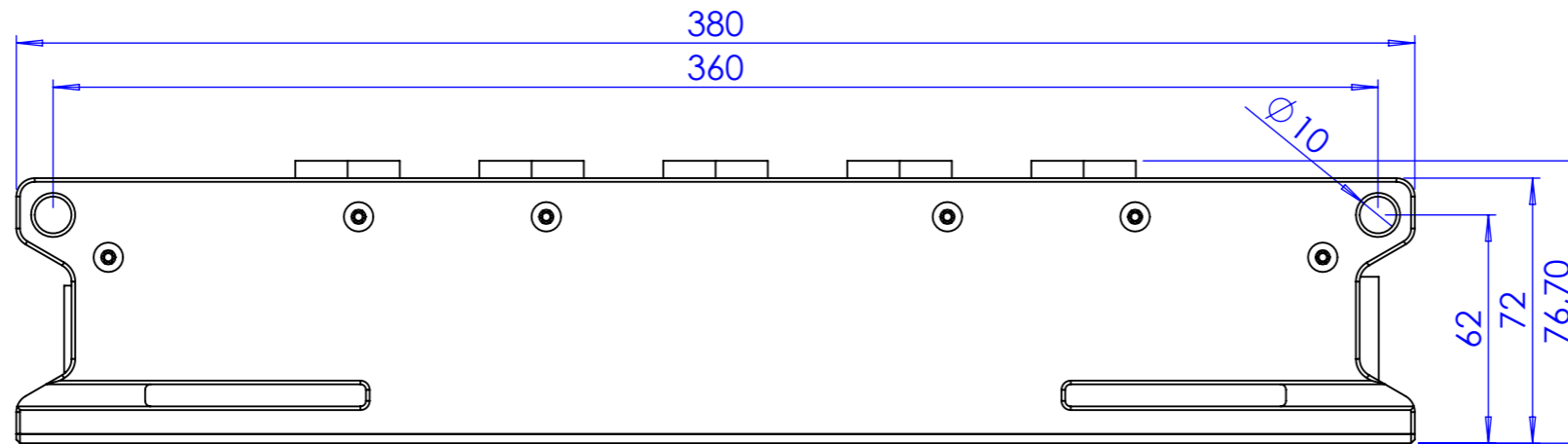
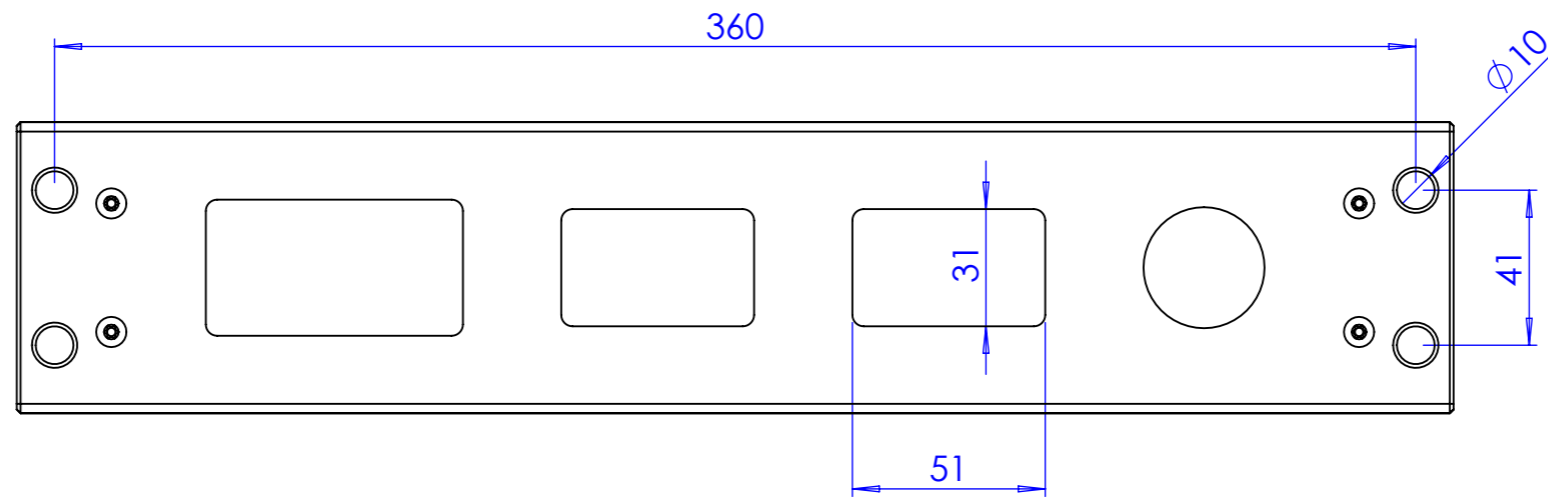


MABSTAB 1 : 5



Sheet Number 1/1	Projection 	Scale 1:2	Format A3	Tolerancing ISO 2768-	
g	cm <sup>2</sup>	cm <sup>3</sup>	Created	HeBo	06.06.2023
Material			Modified		
Material addition			Approved	HeBo	05.07.2023
Description CPSX-T1-T6 6x powerCON® TRUE1® TOP with pC T1 In IP20			ECN Number		
			Status	FOR FINAL	
3D Model ID 41035598		Document ID 1035598	Revision 01		